

# 2 Series

Capacity up to **325 lbs each**

GRIP RING STEM



## Features

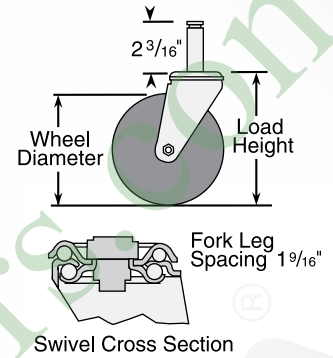
- Zinc plated finish is attractive and durable
- Full double ball hardened raceways for better performance and greater durability
- 3/8" hollow axle with lock nut
- Grease holes on wheel bearing for greater convenience
- "Colson 45" multi-temp grease lubricates in extreme hot and cold temperatures

## Standard Mounting

- **Stem Size:** 2 3/16" long with 5/8" diameter
- Stem features spring grip at top to hold caster securely in tubing
- Assures tight fit and easy swivel action



## Standard Dimensions



## Caster Brake



**Top Lock**  
(See page 96) Available on all swivel models with solid axle only. Field installable (Specify **BRK1**; Example: 2.05251.91 BRK1).



**Total Lock**  
(See page 96) Locks wheel and swivel simultaneously. Fits 3 1/2", 4" and 5" swivel models. Field installable.

**Note:** When mounted in tubing, brake will function as wheel brake only. (Specify **BRK5**; Example: 2.05251.445 COND BRK5).

## Fork Option

**NSF Listed For Food Service Industry**  
All models except thread guards and cast iron wheels (Specify **FSI**; Example: 2.05251.441 FSI).

**Swivel Dust Cap**  
(See page 101) (Specify **DC1**; Example: 2.05251.441 DC1).

**Forks Only**  
To order caster forks only use 1st 6 digits of model numbers (Example: 2.02251).

**Axle/Nut Options**  
Consult factory.

## Wheel Selection



See the Performa Advantage on Page 67.

## Wheel Option

**Thread Guards**  
(See page 108) Available on many models. Specify **TG1** for metal or **TG2** for plastic; Example: 2.05251.441 TG2.

## Mounting Options

**Standard Mounting (no code necessary):**  
2 3/16" long with 5/8" dia.

- MTG2:** 1 1/2" long x 7/16" dia. (.437)
- MTG5:** 2 3/16" long x 3/4" dia. (.75)
- MTG6:** 2 3/16" long x 13/16" dia. (.812)
- MTG7:** 2 3/16" long x 27/32" dia. (.845)
- MTG8:** 2 3/16" long x 7/8" dia. (.865)
- MTG9:** 2 3/16" long x 1" dia. (1.00)

To order optional mounting, add mounting code to Stem Caster Models number (Example: 2.02251.441 MTG2).

**3D CAD Models & Data Sheets**  
www.colsoncaster.com/casters

Colson 2 Series Casters • Grip Ring Stem • Capacity to 325 lbs

Wheel Dia.	Tread Width	Capacity Each (Pounds)	Wheel Descriptions	Wheel Bearing	Stem Caster Models	Load Height	Swivel Radius	Weight (Pounds)
2 1/2"	1 1/4"	125	Performa Rubber (Conductive/Flat)	Ball	2.02251.445 COND	3 3/4"	2 13/32"	1 3/4
			Performa Rubber (Flat)	Delrin	2.02251.441	3 3/4"	2 13/32"	1 3/4
		140	Performa Rubber (Flat)	Ball	2.02251.445	3 3/4"	2 13/32"	1 3/4
			Polyolefin	Delrin	2.02251.53	3 3/4"	2 13/32"	1 3/4
		200	Polyolefin	Ball	2.02251.55	3 3/4"	2 13/32"	1 3/4
			Polyurethane HI-TECH	Delrin	2.02251.91	3 3/4"	2 13/32"	1 1/2
	250	Polyurethane HI-TECH	Ball	2.02251.95	3 3/4"	2 13/32"	1 1/2	
200		Cast Iron	Sleeve	2.02251.12	3 3/4"	2 13/32"	2 1/8	
1 7/16"	300	Phenolic	Roller	2.02251.319	3 3/4"	2 13/32"	1 3/4	
3"	1 1/4"	150	Rubber HI-TECH	Plain	2.03351.42	4 "	2 21/32"	2
			Polyurethane HI-TECH	Plain	2.03351.92	4 "	2 21/32"	2
		Polyolefin	Delrin	2.03351.52	4 "	2 21/32"	2	
	1 15/32"	300	Phenolic	Roller	2.03351.309	4 "	2 21/32"	2 3/4
3 1/2"	1 5/16"	210	Performa Rubber (Conductive/Round)	Ball	2.03251.565 COND	4 9/16"	2 29/32"	2 1/4
			Performa Rubber (Round)	Delrin	2.03251.561	4 9/16"	2 29/32"	2 1/4
			Performa Rubber (Round)	Ball	2.03251.565	4 9/16"	2 29/32"	2 1/4
	1 1/4"	225	Performa Rubber (Conductive/Flat)	Ball	2.03251.445 COND	4 9/16"	2 29/32"	2
			Polyolefin	Delrin	2.03251.53	4 9/16"	2 29/32"	2 1/8
		230	Polyolefin	Ball	2.03251.55	4 9/16"	2 29/32"	2 1/8
			Performa Rubber (Flat)	Delrin	2.03251.441	4 9/16"	2 29/32"	2 1/8
		250	Performa Rubber (Flat)	Ball	2.03251.445	4 9/16"	2 29/32"	2 1/8
			Polyurethane HI-TECH	Delrin	2.03251.91	4 9/16"	2 29/32"	1 3/4
			Polyurethane HI-TECH	Ball	2.03251.95	4 9/16"	2 29/32"	1 3/4
		300	Thermo	Plain	2.03251.52 HT	4 9/16"	2 29/32"	2 7/8
			Cast Iron	Sleeve	2.03251.12	4 9/16"	2 29/32"	3
		4"	1 1/4"	250	ThermoTech®	Teflon	2.04251.613 H	5 "
Performa Rubber (Conductive/Flat)	Ball				2.04251.445 COND	5 "	3 7/32"	2 1/4
275	Polyolefin			Delrin	2.04251.53	5 "	3 7/32"	2 1/4
	Polyolefin			Ball	2.04251.55	5 "	3 7/32"	2 1/4
	Polyurethane HI-TECH			Delrin	2.04251.91	5 "	3 7/32"	2
	Polyurethane HI-TECH			Ball	2.04251.95	5 "	3 7/32"	2
300	Performa Rubber (Flat)		Delrin	2.04251.441	5 "	3 7/32"	2 1/4	
	Performa Rubber (Flat)		Ball	2.04251.445	5 "	3 7/32"	2 1/4	
	Thermo		Plain	2.04251.52 HT	5 "	3 7/32"	3 1/8	
1 1/4"	250		Cast Iron	Sleeve	2.04251.12	5 "	3 7/32"	3 1/2
			ThermoTech®	Teflon	2.05251.613 H	6 1/16"	3 13/16"	3
	1 5/16"	Performa Rubber (Conductive/Flat)	Ball	2.05251.445 COND	6 1/16"	3 13/16"	3	
		Performa Rubber (Conductive/Round)	Ball	2.05251.565 COND	6 1/16"	3 13/16"	3	
		Performa Rubber (Round)	Delrin	2.05251.561	6 1/16"	3 13/16"	3	
5"	1 1/4"	250	Performa Rubber (Round)	Ball	2.05251.565	6 1/16"	3 13/16"	3
			Polyolefin	Delrin	2.05251.53	6 1/16"	3 13/16"	2 3/4
	1 1/4"	300	Polyolefin	Ball	2.05251.55	6 1/16"	3 13/16"	2 3/4
			Polyurethane HI-TECH	Delrin	2.05251.91	6 1/16"	3 13/16"	2 1/2
		Polyurethane HI-TECH	Ball	2.05251.95	6 1/16"	3 13/16"	2 1/2	
		Cast Iron	Sleeve	2.05251.12	6 1/16"	3 13/16"	3 3/4	
		325	Performa Rubber (Flat)	Delrin	2.05251.441	6 1/16"	3 13/16"	2 3/4
			Performa Rubber (Flat)	Ball	2.05251.445	6 1/16"	3 13/16"	2 3/4
	Thermo	Plain	2.05251.52 HT	6 1/16"	3 13/16"	3 1/2		

2 Series