

# 4 Series

Capacity up to 2000 lbs each

**ENFORCER** Kingpinless Swivel & Rigid



## Features

- Attractive zinc plated finish
- Full single ball hardened raceway
- Formed fork legs feature robotic welding
- 1/2" hollow axle with grease zerk and lock nut
- Plastic seal/retainer washer (roller bearing models)
- 5/16" swivel steel top plate for durability, rigid top plate 1/4" steel
- Grease fittings: wheel bearing and swivel raceway
- "Colson 45" multi-temp grease lubricates in extreme hot and cold temperatures



## Caster Brake



### Tread Lock

(See page 99)

Available on all swivel casters except V-Groove models (Specify **BRK1**; Example: 4.06189.929 BRK1).



### Side Lock

(See page 98)

Available on all swivel models equipped with roller or one-piece Delrin bearing only (Specify **BRK3**; Example: 4.06189.459.2 BRK3).

## Fork / Wheel Options

### NSF Listed For Food Service Industry

All models except swivel lock, thread guards, forged steel and cast iron core wheels.

### Forks Only

To order caster forks only use 1st 6 digits of model numbers (Example: 4.04189).



### Hand Activated Swivel Lock

(See page 100)

Available on all swivel casters (Specify **MTG61**; Example: 4.06189.459.2 BRK3).



### Foot Activated Swivel Lock

(See page 100)

Available on all swivel casters with standard top plate (Specify **MTG81**; Example: 4.06189.4F9 MTG81).

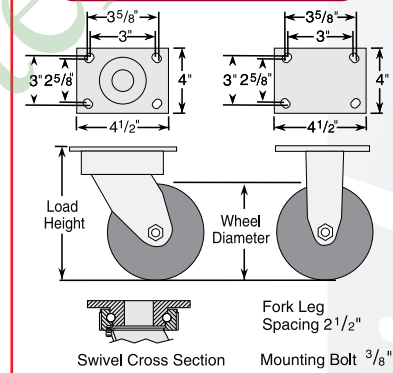
### Thread Guards

(See page 108) Available on many models (Specify **TG1** for metal or **TG2** for plastic; Example: 4.06189.929 TG1).

### Load Height Option

Optional 10 1/8" load height (6 1/2" swivel radius) available for 8" swivel and rigid casters (Specify **LH 10 1/8**; Example: 4.06189.929 101/8).

## Standard Dimensions



## Axle / Nut Options

**Axle/Nut Options**  
Consult factory.

## CAD Models & Datasheets Online!

[www.colsoncaster.com/casters/](http://www.colsoncaster.com/casters/)

## Extended Lead Fork

Available on 6" (2 1/2" swivel lead) and 8" (3 1/2" swivel lead) models with 9 1/2" load height (Specify **EL**; Example: 4.06189.929 EL).

See the Performa Advantage on Page 67.

## Wheel Selection



Colson 4 Series Casters • Enforcer Kingpinless Top Plate Swivel & Rigid • Capacity to 2000 lbs

Wheel Dia.	Tread Width	Capacity Each (Pounds)	Wheel Descriptions	Swivel Top Plate Roller Bearing Caster Models	Rigid Top Plate Roller Bearing Caster Models	Optional Bearings (Order information below chart)	Load Height	Swivel Radius	Weight lbs (Rigid Deduct 1.5 lbs)
4"	2"	300	Performa Rubber (Flat/Conductive)	4.04189.459 COND	4.04108.459 COND	PPBB	5 5/8"	3 9/16"	5 3/4
			Performa Rubber (Flat/Black)	4.04189.459.2	4.04108.459.2	Delrin, Prec. Ball, PPBB	5 5/8"	3 9/16"	5 3/4
		400	Performa Rubber (Flat/Grey)	4.04189.459	4.04108.459	Delrin, Prec. Ball, PPBB	5 5/8"	3 9/16"	5 3/4
			Performa Rubber (Round)	4.04189.559	4.04108.559	Delrin, Prec. Ball, PPBB	5 5/8"	3 9/16"	5 3/4
			Trans-forma (Flat)	4.04189.4E9	4.04108.4E9	Delrin, PPBB	5 5/8"	3 9/16"	5 3/4
			Polyolefin	4.04189.839	4.04108.839	Delrin, Plain, PPBB	5 5/8"	3 9/16"	4 1/2
		500	Trans-forma HD (Flat)	4.04189.4F9	4.04108.4F9	Delrin, PPBB	5 5/8"	3 9/16"	5 3/4
			Polyurethane HI-TECH	4.04189.929	4.04108.929	Delrin, PPBB	5 5/8"	3 9/16"	4 3/4
	600	Moldon Polyurethane (Aluminum core)	4.04189.939	4.04108.939	Delrin, PPBB	5 5/8"	3 9/16"	5 1/2	
		Moldon Polyurethane (Cast iron core)	4.04189.949.7	4.04108.949.7	Delrin, PPBB	5 5/8"	3 9/16"	6	
	700	Maxim	4.04189.539	4.04108.539	Delrin, Bronze, PPBB	5 5/8"	3 9/16"	5 1/8	
		Phenolic	4.04189.339	4.04108.339	Delrin, PPBB	5 5/8"	3 9/16"	5 3/4	
		Conquest*	4.04189.9PC	4.04108.9PC	Prec. Ball Standard	5 5/8"	3 9/16"	7 1/2	
		V-Groove	4.04189.739	4.04108.739	Delrin, PPBB	5 5/8"	3 9/16"	8 1/8	
	1000	Endura Solid Elastomer	4.04189.839 EN	4.04108.839 EN	Delrin, Prec. Ball, PPBB	5 5/8"	3 9/16"	5 3/4	
		Cast Iron	4.04189.139	4.04108.139	Delrin, PPBB	5 5/8"	3 9/16"	7 7/8	
2000	Commander HD*	4.04189.5PN	4.04108.5PN	Prec. Ball Standard	5 5/8"	3 9/16"	8 1/4		
5"	2"	325	Performa Rubber (Flat/Conductive)	4.05189.459 COND	4.05108.459 COND	PPBB	6 1/2"	3 7/8"	6 1/8
			Performa Rubber (Round)	4.05189.559	4.05108.559	Delrin, Prec. Ball, PPBB	6 1/2"	3 7/8"	6 1/8
		425	Performa Rubber (Flat/Black)	4.05189.459.2	4.05108.459.2	Delrin, Prec. Ball, PPBB	6 1/2"	3 7/8"	6 1/8
			Performa Rubber (Flat/Grey)	4.05189.459	4.05108.459	Delrin, Prec. Ball, PPBB	6 1/2"	3 7/8"	6 1/8
		500	Trans-forma (Flat)	4.05189.4E9	4.05108.4E9	Delrin, PPBB	6 1/2"	3 7/8"	6 1/8
			Polyolefin	4.05189.839	4.05108.839	Delrin, Plain, PPBB	6 1/2"	3 7/8"	4 7/8
		650	Trans-forma HD (Flat)	4.05189.4F9	4.05108.4F9	Delrin, PPBB	6 1/2"	3 7/8"	6 1/8
			Polyurethane HI-TECH	4.05189.929	4.05108.929	Delrin, PPBB	6 1/2"	3 7/8"	4 3/4
	750	Maxim	4.05189.539	4.05108.539	Delrin, Bronze, PPBB	6 1/2"	3 7/8"	5 1/2	
		Endura Solid Elastomer	4.05189.839 EN	4.05108.839 EN	Delrin, Prec. Ball, PPBB	6 1/2"	3 7/8"	5 3/4	
		Moldon Polyurethane (Aluminum core)	4.05189.939	4.05108.939	Delrin, PPBB	6 1/2"	3 7/8"	6 1/8	
		Moldon Polyurethane (Cast iron core)	4.05189.949.7	4.05108.949.7	Delrin, PPBB	6 1/2"	3 7/8"	7	
	1000	Moldon Nylon	4.05189.939.3	4.05108.939.3	Delrin, PPBB	6 1/2"	3 7/8"	9 1/4	
		Phenolic	4.05189.339	4.05108.339	Delrin, PPBB	6 1/2"	3 7/8"	5 3/4	
		Conquest*	4.05189.9PC	4.05108.9PC	Prec. Ball Standard	6 1/2"	3 7/8"	8	
		Cast Iron	4.05189.139	4.05108.139	Delrin, PPBB	6 1/2"	3 7/8"	8 7/8	
1400	Forged Steel	4.05189.239	4.05108.239	Delrin, PPBB	6 1/2"	3 7/8"	9 1/4		
2000	Commander HD*	4.05189.5PN	4.05108.5PN	Prec. Ball Standard	6 1/2"	3 7/8"	8 3/4		
6"	2"	410	Performa Rubber (Flat/Conductive)	4.06189.459 COND	4.06108.459 COND	PPBB	7 1/2"	4 5/8"	6 1/8
			Performa Rubber (Round/Conductive)	4.06189.559 COND	4.06108.559 COND	PPBB	7 1/2"	4 5/8"	6 1/8
		450	Performa Rubber (Round)	4.06189.559	4.06108.559	Delrin, Prec. Ball, PPBB	7 1/2"	4 5/8"	6 1/8
			Trans-forma (Round)	4.06189.5E9	4.06108.5E9	Delrin, PPBB	7 1/2"	4 5/8"	6 1/8
		600	Performa Rubber (Flat/Black)	4.06189.459.2	4.06108.459.2	Delrin, Prec. Ball, PPBB	7 1/2"	4 5/8"	6 1/8
			Performa Rubber (Flat/Grey)	4.06189.459	4.06108.459	Delrin, Prec. Ball, PPBB	7 1/2"	4 5/8"	6 1/8
		650	Trans-forma (Flat)	4.06189.4E9	4.06108.4E9	Delrin, PPBB	7 1/2"	4 5/8"	6 1/8
			Trans-forma HD (Round)	4.06189.5F9	4.06108.5F9	Delrin, PPBB	7 1/2"	4 5/8"	6 1/8
	700	Polyolefin	4.06189.839	4.06108.839	Delrin, Plain, PPBB	7 1/2"	4 5/8"	5 1/2	
		Polyurethane HI-TECH	4.06189.929	4.06108.929	Delrin, PPBB	7 1/2"	4 5/8"	5	
	900	Trans-forma HD (Flat)	4.06189.4F9	4.06108.4F9	Delrin, PPBB	7 1/2"	4 5/8"	6 1/8	
		Triumph (Round/Blue)*	4.06189.96TF	4.06108.96TF	Prec. Ball Standard	7 1/2"	4 5/8"	7 1/2	
		Triumph (Round/Red)*	4.06189.96TS	4.06108.96TS	Prec. Ball Standard	7 1/2"	4 5/8"	7 1/2	
		Endura Solid Elastomer	4.06189.839 EN	4.06108.839 EN	Delrin, Prec. Ball, PPBB	7 1/2"	4 5/8"	7	
	1100	Maxim	4.06189.539	4.06108.539	Delrin, Bronze, PPBB	7 1/2"	4 5/8"	5 3/4	
		Moldon Polyurethane (Aluminum core)	4.06189.939	4.06108.939	Delrin, PPBB	7 1/2"	4 5/8"	7 1/2	
Moldon Polyurethane (Cast iron core)		4.06189.949.7	4.06108.949.7	Delrin, PPBB	7 1/2"	4 5/8"	9		
Moldon Nylon		4.06189.939.3	4.06108.939.3	Delrin, PPBB	7 1/2"	4 5/8"	9 1/4		
1200	Phenolic	4.06189.339	4.06108.339	Delrin, PPBB	7 1/2"	4 5/8"	7		
	V-Groove	4.06189.739	4.06108.739	Delrin, PPBB	7 1/2"	4 5/8"	10 1/2		
	Conquest*	4.06189.9PC	4.06108.9PC	Prec. Ball Standard	7 1/2"	4 5/8"	8 1/8		
	Cast Iron	4.06189.139	4.06108.139	Delrin, PPBB	7 1/2"	4 5/8"	9 3/4		
1700	Forged Steel	4.06189.239	4.06108.239	Delrin, PPBB	7 1/2"	4 5/8"	10 1/4		
2000	Commander HD*	4.06189.5PN	4.06108.5PN	Prec. Ball Standard	7 1/2"	4 5/8"	10		
8"	2"	500	Performa Rubber (Flat/Conductive)	4.08189.459 COND	4.08198.459 COND	PPBB	9 1/2"	6 1/8"	6 1/4
			Performa Rubber (Round/Conductive)	4.08189.559 COND	4.08198.559 COND	PPBB	9 1/2"	6 1/8"	6 1/4
		600	Performa Rubber (Round)	4.08189.559	4.08198.559	Delrin, Prec. Ball, PPBB	9 1/2"	6 1/8"	6 1/4
			Performa Rubber (Flat/Black)	4.08189.459.2	4.08198.459.2	Delrin, Prec. Ball, PPBB	9 1/2"	6 1/8"	6 1/4
		675	Performa Rubber (Flat/Grey)	4.08189.459	4.08198.459	Delrin, Prec. Ball, PPBB	9 1/2"	6 1/8"	6 1/4
			Polyolefin	4.08189.839	4.08198.839	Delrin, Plain, PPBB	9 1/2"	6 1/8"	5 3/4
		900	Polyurethane HI-TECH	4.08189.929	4.08198.929	Delrin, PPBB	9 1/2"	6 1/8"	5 1/4
			Endura Solid Elastomer	4.08189.839 EN	4.08198.839 EN	Delrin, Prec. Ball, PPBB	9 1/2"	6 1/8"	8 1/2
	1200	Triumph (Crown/Brown)*	4.08189.93TF	4.08198.93TF	Prec. Ball Standard	9 1/2"	6 1/8"	8 1/4	
		Triumph (Crown/Red)*	4.08189.93TS	4.08198.93TS	Prec. Ball Standard	9 1/2"	6 1/8"	8 1/4	
		Triumph (Round/Blue)*	4.08189.96TF	4.08198.96TF	Prec. Ball Standard	9 1/2"	6 1/8"	8 1/4	
		Triumph (Round/Red)*	4.08189.96TS	4.08198.96TS	Prec. Ball Standard	9 1/2"	6 1/8"	8 1/4	
	1400	Maxim	4.08189.539	4.08198.539	Delrin, Bronze, PPBB	9 1/2"	6 1/8"	6 1/2	
		Phenolic	4.08189.339	4.08198.339	Delrin, PPBB	9 1/2"	6 1/8"	8 1/2	
	1500	Moldon Polyurethane (Aluminum core)	4.08189.939	4.08198.939	Delrin, PPBB	9 1/2"	6 1/8"	8 1/4	
		Moldon Polyurethane (Cast iron core)	4.08189.949.7	4.08198.949.7	Delrin, PPBB	9 1/2"	6 1/8"	11	
Moldon Nylon		4.08189.939.3	4.08198.939.3	Delrin, PPBB	9 1/2"	6 1/8"	9 1/4		
Cast Iron		4.08189.139	4.08198.139	Delrin, PPBB	9 1/2"	6 1/8"	12 1/2		
2000	Conquest*	4.08189.9PC	4.08198.9PC	Prec. Ball Standard	9 1/2"	6 1/8"	8 1/2		
Commander HD*	4.08189.5PN	4.08198.5PN	Prec. Ball Standard	9 1/2"	6 1/8"	12			

\*Conquest, Triumph and Commander HD wheels available with Precision Ball Bearing only.

**Bearing Options**

Wheels feature roller bearings in above chart. To order optional bearings, see information to the right.



**Roller Bearing**  
Metal cage (Specify **WB29**).

(Example: 4.06199.459 WB29).



**Torrington Roller Bearing**

Torrington style roller bearing with retainer.

(Specify **WB19**).  
(Example: 4.06199.459 WB19).



**Delrin Bearing**

For standard two-piece bearing change 9th digit to "1" (Example: 4.06189.921).  
One-piece with steel thrust washers (Specify **WB11**);  
Example: 4.06199.451 WB11).



**Precision Ball**

Standard on Triumph, Conquest, and Commander HD wheels.



**Pedestal Precision Ball Bearing (PPBB)**

To order change 9th digit to "5" (Example: 4.06189.455).



**Bronze Bearing**

To order change 9th digit to "4" (Example: 4.06189.534).

4 Series