

4 Series

Capacity up to **1250 lbs each**

STAINLESS STEEL Swivel & Rigid



Features

- Polished stainless steel (Grade 304)
- 1/2" stainless steel hollow axle with grease zerk, nut and lock washer
- 1/4" stainless steel top plate for durability
- Permanent rivet kingpin with 5/8" diameter rivet
- Grease fittings: wheel bearing and swivel raceway
- "Colson 45" multi-temp grease lubricates in extreme hot and cold temperatures

Caster Brake



Tech Lock®
(See page 98) Available on all swivel and 6" rigid casters. (Specify **BRK2**; Example: 4.06109.339 SS BRK2).

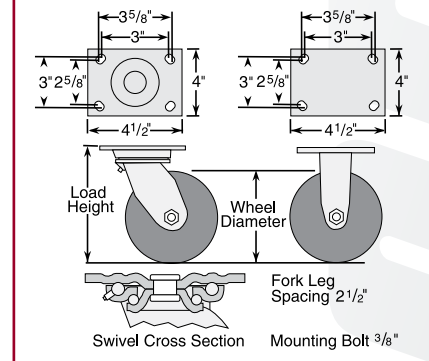


Side Lock
(See page 97) Stainless steel design available on all swivel casters with one-piece Delrin bearing or roller bearing only (Specify **BRK3**; Example: 4.06109.4B9 SS BRK3).



Top Lock
(See page 98) Stainless steel design available on all swivel models (Specify **BRK7**; Example: 4.06109.459 SS BRK7).

Standard Dimensions



Fork / Wheel Options

NSF Listed For Food Service Industry
All models except swivel lock, thread guards, forged steel and cast iron core wheels.

Forks Only
To order caster forks only use 1st 6 digits of model numbers and add SS (Example: 4.04109SS).



Foot Activated Swivel Lock
(See page 100) Available on all swivel casters with standard top plate (Specify **MTG81**; Example: 4.06109.929 SS MTG81).

DirtBan Swivel Seal
(See page 101) Not available on swivel lock models (Specify **SEAL**; Example: 4.06109.929 SS SEAL).

Thread Guards
(See page 108) Available on many models (Specify **TG1** for metal or **TG2** for plastic; Example: 4.06109.929 SS TG1).

Wheel Selection



See the Performa Advantage on Page 67.

3D CAD Models & Data Sheets
www.colsoncaster.com/casters

Wheel Dia.	Tread Width	Capacity Each (Pounds)	Wheel Descriptions	Swivel Top Plate SS Roller Bearing Caster Models	Rigid Top Plate SS Roller Bearing Caster Models	Optional Bearings (Order information below chart)	Load Height	Swivel Radius	Weight (Pounds)
4"	2"	300	Perma Rubber (Flat/Conductive)	4.04109.459 COND SS	4.04108.459 COND SS	PPBB	5 ⁵ / ₈ "	3 ⁹ / ₁₆ "	5 ³ / ₄
			Perma Rubber (Flat/Black)	4.04109.459.2 SS	4.04108.459.2 SS	Delrin, Bronze, PPBB	5 ⁵ / ₈ "	3 ⁹ / ₁₆ "	5 ³ / ₄
		400	Perma Rubber (Flat/Grey)	4.04109.459 SS	4.04108.459 SS	Delrin, Bronze, PPBB	5 ⁵ / ₈ "	3 ⁹ / ₁₆ "	5 ³ / ₄
			Perma Rubber (Round)	4.04109.559 SS	4.04108.559 SS	Delrin, Bronze, PPBB	5 ⁵ / ₈ "	3 ⁹ / ₁₆ "	5 ³ / ₄
			Trans-forma LT (Flat)	4.04109.4B9 SS	4.04108.4B9 SS	Delrin, Bronze, PPBB	5 ⁵ / ₈ "	3 ⁹ / ₁₆ "	5 ³ / ₄
			Trans-forma (Flat)	4.04109.4E9 SS	4.04108.4E9 SS	Delrin, Bronze, PPBB	5 ⁵ / ₈ "	3 ⁹ / ₁₆ "	5 ³ / ₄
		500	Polyolefin	4.04109.839 SS	4.04108.839 SS	Delrin, Bronze, Plain, PPBB	5 ⁵ / ₈ "	3 ⁹ / ₁₆ "	4 ¹ / ₂
			Trans-forma HD (Flat)	4.04109.4F9 SS	4.04108.4F9 SS	Delrin, Bronze, PPBB	5 ⁵ / ₈ "	3 ⁹ / ₁₆ "	5 ³ / ₄
		600	Polyurethane HI-TECH	4.04109.929 SS	4.04108.929 SS	Delrin, Bronze, PPBB	5 ⁵ / ₈ "	3 ⁹ / ₁₆ "	4 ³ / ₄
			Maxim	4.04109.539 SS	4.04108.539 SS	Delrin, Bronze, PPBB	5 ⁵ / ₈ "	3 ⁹ / ₁₆ "	5 ³ / ₄
		800	Phenolic	4.04109.339 SS	4.04108.339 SS	Delrin, PPBB	5 ⁵ / ₈ "	3 ⁹ / ₁₆ "	5 ³ / ₄
			Thermo	4.04109.839 HT SS	4.04108.839 HT SS	Plain, Bronze	5 ⁵ / ₈ "	3 ⁹ / ₁₆ "	5 ³ / ₄
1000	Endura Solid Elastomer	4.04109.839 EN SS	4.04108.839 EN SS	Delrin, Bronze, PPBB	5 ⁵ / ₈ "	3 ⁹ / ₁₆ "	5 ³ / ₄		
5"	2"	325	Perma Rubber (Flat/Conductive)	4.05109.459 COND SS	4.05108.459 COND SS	PPBB	6 ¹ / ₂ "	4 ¹ / ₄ "	6 ¹ / ₈
			Perma Rubber (Round)	4.05109.559 SS	4.05108.559 SS	Delrin, Bronze, PPBB	6 ¹ / ₂ "	4 ¹ / ₄ "	6 ¹ / ₈
		450	Trans-forma LT (Flat)	4.05109.4B9 SS	4.05108.4B9 SS	Delrin, Bronze, PPBB	6 ¹ / ₂ "	4 ¹ / ₄ "	6 ¹ / ₈
			Perma Rubber (Flat/Black)	4.05109.459.2 SS	4.05108.459.2 SS	Delrin, Bronze, PPBB	6 ¹ / ₂ "	4 ¹ / ₄ "	6 ¹ / ₈
		500	Perma Rubber (Flat/Grey)	4.05109.459 SS	4.05108.459 SS	Delrin, Bronze, PPBB	6 ¹ / ₂ "	4 ¹ / ₄ "	6 ¹ / ₈
			Trans-forma (Flat)	4.05109.4E9 SS	4.05108.4E9 SS	Delrin, Bronze, PPBB	6 ¹ / ₂ "	4 ¹ / ₄ "	6 ¹ / ₈
		650	Polyolefin	4.05109.839 SS	4.05108.839 SS	Delrin, Bronze, Plain, PPBB	6 ¹ / ₂ "	4 ¹ / ₄ "	4 ⁷ / ₈
			Trans-forma HD (Flat)	4.05109.4F9 SS	4.05108.4F9 SS	Delrin, Bronze, PPBB	6 ¹ / ₂ "	4 ¹ / ₄ "	6 ¹ / ₈
		750	Polyurethane HI-TECH	4.05109.929 SS	4.05108.929 SS	Delrin, Bronze, PPBB	6 ¹ / ₂ "	4 ¹ / ₄ "	4 ⁷ / ₈
			Maxim	4.05109.539 SS	4.05108.539 SS	Delrin, Bronze, PPBB	6 ¹ / ₂ "	4 ¹ / ₄ "	5 ⁷ / ₈
		1000	Phenolic	4.05109.339 SS	4.05108.339 SS	Delrin, PPBB	6 ¹ / ₂ "	4 ¹ / ₄ "	5 ⁷ / ₈
			Thermo	4.05109.839 HT SS	4.05108.839 HT SS	Plain, Bronze	6 ¹ / ₂ "	4 ¹ / ₄ "	5 ⁷ / ₈
Endura Solid Elastomer	4.05109.839 EN SS		4.05108.839 EN SS	Delrin, Bronze, PPBB	6 ¹ / ₂ "	4 ¹ / ₄ "	5 ⁷ / ₈		
6"	2"	400	Trans-forma LT (Round)	4.06109.5B9 SS	4.06108.5B9 SS	Delrin, Bronze, PPBB	7 ¹ / ₂ "	5"	7 ¹ / ₈
			Perma Rubber (Flat/Conductive)	4.06109.459 SS	4.06108.459.2 SS	PPBB	7 ¹ / ₂ "	5"	6 ¹ / ₈
		450	Perma Rubber (Round)	4.06109.559 SS	4.06108.559 SS	Delrin, Bronze, PPBB	7 ¹ / ₂ "	5"	7 ¹ / ₈
			Trans-forma (Round)	4.06109.5E9 SS	4.06108.5E9 SS	Delrin, Bronze, PPBB	7 ¹ / ₂ "	5"	7 ¹ / ₈
		500	Trans-forma LT (Flat)	4.06109.4B9 SS	4.06108.4B9 SS	Delrin, Bronze, PPBB	7 ¹ / ₂ "	5"	7 ¹ / ₈
			Perma Rubber (Flat/Black)	4.06109.459.2 SS	4.06108.459.2 SS	Delrin, Bronze, PPBB	7 ¹ / ₂ "	5"	7 ¹ / ₈
		600	Perma Rubber (Flat/Grey)	4.06109.459 SS	4.06108.459 SS	Delrin, Bronze, PPBB	7 ¹ / ₂ "	5"	7 ¹ / ₈
			Trans-forma (Flat)	4.06109.4E9 SS	4.06108.4E9 SS	Delrin, Bronze, PPBB	7 ¹ / ₂ "	5"	7 ¹ / ₈
		650	Trans-forma HD (Round)	4.06109.5F9 SS	4.06108.5F9 SS	Delrin, Bronze, PPBB	7 ¹ / ₂ "	5"	7 ¹ / ₈
			Polyolefin	4.06109.839 SS	4.06108.839 SS	Delrin, Bronze, Plain, PPBB	7 ¹ / ₂ "	5"	5 ¹ / ₂
		900	Polyurethane HI-TECH	4.06109.929 SS	4.06108.929 SS	Delrin, Bronze, PPBB	7 ¹ / ₂ "	5"	5
			Trans-forma HD (Flat)	4.06109.4F9 SS	4.06108.4F9 SS	Delrin, Bronze, PPBB	7 ¹ / ₂ "	5"	7 ¹ / ₈
		1100	Endura Solid Elastomer	4.06109.839 EN SS	4.06108.839 EN SS	Delrin, Bronze, PPBB	7 ¹ / ₂ "	5"	6
			Thermo	4.06109.839 HT SS	4.06108.839 HT SS	Plain, Bronze	7 ¹ / ₂ "	5"	6
1200	Maxim	4.06109.539 SS	4.06108.539 SS	Delrin, Bronze, PPBB	7 ¹ / ₂ "	5"	6		
	Phenolic	4.06109.339 SS	4.06108.339 SS	Delrin, PPBB	7 ¹ / ₂ "	5"	6		
8"	2"	500	Perma Rubber (Flat/Conductive)	4.08199.459 COND SS	4.08198.459 COND SS	PPBB	9 ¹ / ₂ "	6 ¹ / ₂ "	6 ¹ / ₄
			Perma Rubber (Round)	4.08199.559 SS	4.08198.559 SS	Delrin, Bronze, PPBB	9 ¹ / ₂ "	6 ¹ / ₂ "	8 ¹ / ₈
		600	Perma Rubber (Flat/Black)	4.08199.459.2 SS	4.08198.459.2 SS	Delrin, Bronze, PPBB	9 ¹ / ₂ "	6 ¹ / ₂ "	8 ¹ / ₈
			Perma Rubber (Flat/Grey)	4.08199.459 SS	4.08198.459 SS	Delrin, Bronze, PPBB	9 ¹ / ₂ "	6 ¹ / ₂ "	8 ¹ / ₈
		900	Polyolefin	4.08199.839 SS	4.08198.839 SS	Delrin, Bronze, Plain, PPBB	9 ¹ / ₂ "	6 ¹ / ₂ "	5 ³ / ₄
			Polyurethane HI-TECH	4.08199.929 SS	4.08198.929 SS	Delrin, Bronze, PPBB	9 ¹ / ₂ "	6 ¹ / ₂ "	5 ³ / ₄
		1200	Endura Solid Elastomer	4.08199.839 EN SS	4.08198.839 EN SS	Delrin, Bronze, PPBB	9 ¹ / ₂ "	6 ¹ / ₂ "	6 ³ / ₄
			Maxim	4.08199.539 SS	4.08198.539 SS	Delrin, Bronze, PPBB	9 ¹ / ₂ "	6 ¹ / ₂ "	6 ³ / ₄
1250	Phenolic	4.08199.339 SS	4.08198.339 SS	Delrin, Bronze, PPBB	9 ¹ / ₂ "	6 ¹ / ₂ "	6 ³ / ₄		

All 4 Series swivel forks are notched to accommodate four position swivel locks.

Bearing Options

Wheels feature roller bearings in above chart. To order optional bearings, see information to the right.



Roller Bearing
Stainless Steel cage roller bearing (Specify **WB29**).
Stainless Steel thrust & retainer washers (Specify **WSR1**).
(Example: 4.06109.459 SS WB29).



Delrin Bearing
For standard two-piece bearing change 9th digit to "1"
(Example: 4.06109.921 SS).
One-piece with steel thrust washers (Specify **WB11**).
Example: 4.06109.451 SS WB11).



Pedestal Precision Ball Bearing (PPBB)
Available in stainless steel; consult factory.



Bronze Bearing
To order, change the 9th digit in model number to "4"
(Example: 4.06109.534 SS).

4 Series