



TOP PLATE Swivel & Rigid

Series

Capacity up to **800 lbs each**
Narrow 1 1/2" tread width



Features

- Attractive zinc plated finish
- Full double ball hardened raceways
- 1/2" hollow axle with grease zerk and lock nut
- Plastic seal/retainer washer (roller bearing models)
- 1/4" steel top plate for durability
- Permanent rivet kingpin with 5/8" diameter rivet
- Grease fittings: wheel bearing and swivel raceway
- "Colson 45" multi-temp grease lubricates in extreme hot and cold temperatures

Caster Brake

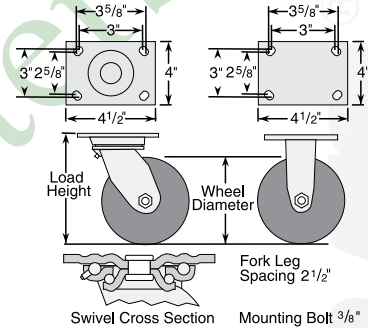


Tread Lock
(See page 99) Available on all swivel casters except 3" diameter models (Specify **BRK1**; Example: 4.06109.819 BRK1).



Tech Lock®
(See page 98) Available on all swivel casters except 3" diameter and swivel lock models. Rigid 6" model available (Specify **BRK2**; Example: 4.06109.449 BRK2).

Standard Dimensions



Fork / Wheel Options

NSF Listed For Food Service Industry
All models except swivel lock, thread guards, forged steel and cast iron core wheels.

Forks Only
To order caster forks only use 1st 6 digits of model numbers (Example: 4.04109).



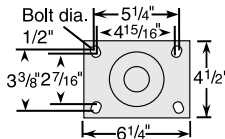
Total Lock
(See page 99) Available on 4", 5", 6" & 8" swivel models (Specify **BRK4**; Example: 4.06109.119 BRK4).



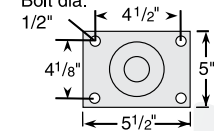
Top Lock
(See page 98) Available on 4", 5", 6" and 8" swivel models (Specify **BRK7**; Example: 4.06109.449 BRK7).

Optional Top Plates

#2 Top Plate (Specify MTG2).



#4 Top Plate (Specify MTG4).



To order optional top plate, add mounting code to Caster Models number (Example: 4.03109.449 MTG2).

Wheel Selection



See the Performa Advantage on Page 67.

DirtBan Swivel Seal
(See page 101) Not available on swivel lock models (Specify **SEAL**; Example: 4.06109.449 SEAL).

Thread Guards
(See page 108) Available on many models (Specify **TG1** for metal or **TG2** for plastic; Example: 4.06109.449 TG2).

Axle/Nut Options
Consult factory.

Lube Options
Consult factory.

Colson 4 Series Casters (1 1/2" tread widths) • Top Plate Swivel & Rigid • Capacity to 800 lbs

Wheel Dia.	Tread Width	Capacity Each (Pounds)	Wheel Descriptions	Swivel Top Plate Roller Bearing Caster Models	Rigid Top Plate Roller Bearing Caster Models	Optional Bearings (Order information below chart)	Load Height	Swivel Radius	Weight lbs (Rigid Deduct 1 lb)
3"	1 1/2"	225	Perma Rubber (Conductive/Flat)	4.03109.449 COND	4.03108.449 COND	PPBB	5 1/8"	3 1/16"	3 1/4
		250	Perma Rubber (Flat/Grey)	4.03109.449	4.03108.449	Delrin, PPBB	5 1/8"	3 1/16"	3 1/4
		300	Polyolefin	4.03109.819	4.03108.819	Delrin, Plain, PPBB	5 1/8"	3 1/16"	3 3/4
			Polyurethane HI-TECH	4.03109.919	4.03108.919	Delrin, PPBB	5 1/8"	3 1/16"	3 1/4
		425	Cast Iron	4.03109.119	4.03108.119	Delrin, PPBB	5 1/8"	3 1/16"	5
		600	Phenolic	4.03109.319	4.03108.319	Delrin, PPBB	5 1/8"	3 1/16"	3 3/4
Thermo	4.03109.819 HT		4.03108.819 HT	Plain, Bronze	5 1/8"	3 1/16"	4 3/4		
4"	1 1/2"	255	Perma Rubber (Conductive/Flat)	4.04109.449 COND	4.04108.449 COND	PPBB	5 5/8"	3 9/16"	3 3/4
		325	Perma Rubber (Flat/Grey)	4.04109.449	4.04108.449	Delrin, PPBB	5 5/8"	3 9/16"	3 3/4
		375	Polyolefin	4.04109.819	4.04108.819	Delrin, Plain, PPBB	5 5/8"	3 9/16"	4
		400	Polyurethane HI-TECH	4.04109.919	4.04108.919	Delrin, PPBB	5 5/8"	3 9/16"	3 1/2
		500	Cast Iron	4.04109.119	4.04108.119	Delrin, PPBB	5 5/8"	3 9/16"	5 1/4
			Phenolic	4.04109.319	4.04108.319	Delrin, PPBB	5 5/8"	3 9/16"	3 3/4
		600	Thermo	4.04109.819 HT	4.04108.819 HT	Plain, Bronze	5 5/8"	3 9/16"	4 3/4
Maxim	4.04109.519		4.04108.519	Delrin, Bronze, PPBB	5 5/8"	3 9/16"	3 3/4		
5"	1 1/2"	280	Perma Rubber (Conductive/Flat)	4.05109.449 COND	4.05108.449 COND	PPBB	6 1/2"	4 1/4"	4 1/8
		350	Perma Rubber (Flat/Grey)	4.05109.449	4.05108.449	Delrin, PPBB	6 1/2"	4 1/4"	4 1/8
		450	Polyolefin	4.05109.819	4.05108.819	Delrin, Plain, PPBB	6 1/2"	4 1/4"	4 1/8
		500	Polyurethane HI-TECH	4.05109.919	4.05108.919	Delrin, PPBB	6 1/2"	4 1/4"	4 1/8
			Cast Iron	4.05109.119	4.05108.119	Delrin, PPBB	6 1/2"	4 1/4"	5 1/2
		600	Phenolic	4.05109.319	4.05108.319	Delrin, PPBB	6 1/2"	4 1/4"	3 3/4
Thermo	4.05109.819 HT		4.05108.819 HT	Plain, Bronze	6 1/2"	4 1/4"	4 3/4		
6"	1 1/2"	300	Perma Rubber (Conductive/Flat)	4.06109.449 COND	4.06108.449 COND	PPBB	7 1/2"	5"	5
		375	Perma Rubber (Flat/Grey)	4.06109.449	4.06108.449	Delrin, PPBB	7 1/2"	5"	5
		500	Polyolefin	4.06109.819	4.06108.819	Delrin, Plain, PPBB	7 1/2"	5"	4 1/8
			Polyurethane HI-TECH	4.06109.919	4.06108.919	Delrin, PPBB	7 1/2"	5"	5
		600	Cast Iron	4.06109.119	4.06108.119	Delrin, PPBB	7 1/2"	5"	6 1/2
800	Phenolic	4.06109.319	4.06108.319	Delrin, PPBB	7 1/2"	5"	4 1/4		
8"	1 1/2"	350	Perma Rubber (Conductive/Flat)	4.08199.449 COND	4.08198.449 COND	PPBB	9 1/2"	6 1/2"	5 3/4
		500	Perma Rubber (Flat/Grey)	4.08199.449	4.08198.449	Delrin, PPBB	9 1/2"	6 1/2"	5 3/4
		600	Polyolefin	4.08199.819	4.08198.819	Delrin, Plain, PPBB	9 1/2"	6 1/2"	4 1/2
		800	Polyurethane HI-TECH	4.08199.919	4.08198.919	Delrin, PPBB	9 1/2"	6 1/2"	5 3/4

All 4 Series swivel forks are notched to accommodate four position swivel locks.

Bearing Options

Wheels feature roller bearings in above chart. To order optional bearings, see information to the right.



Roller Bearing
Metal cage roller bearing (Specify **WB29**).
(Example: 4.06109.449 WB29).



Delrin Bearing
For standard two-piece bearing change ninth digit to "1" (Example: 4.06109.911).



Pedestal Precision Ball Bearing (PPBB)
To order change 9th digit to "5" (Example: 4.06109.915).



Bronze Bearing
To order, change the 9th digit in model number to "4" (Example: 4.05109.814 HT).

4 Series

