

# Hudson

## BEARINGS

### BT 1-1/2

Flange-Mounted Ball Transfers



BT 1-1/2



NBT 1-1/2

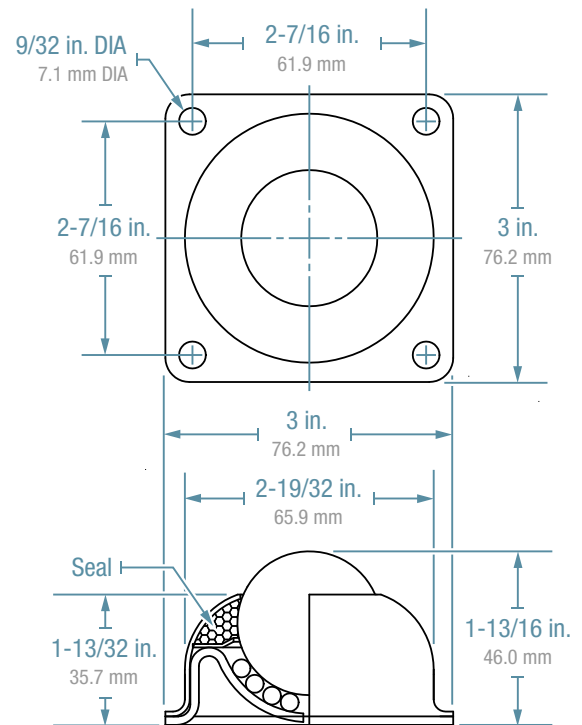
Additional ball materials available

Part Number	Housing Mat.	Ball Material	Load Cap.
<b>BT 1-1/2 CS</b>	Carbon Steel	Carbon Steel	250 lbs.
<b>NBT 1-1/2 CS</b>	Carbon Steel	Nylon	250 lbs.
<b>BT 1-1/2 CS/SS</b>	Carbon Steel	Stainless Steel	250 lbs.
<b>BT 1-1/2 SS</b>	Stainless Steel	Stainless Steel	250 lbs.

#### FOUR-HOLE, FLANGE MOUNTED, ALL-STEEL

- 1-1/2" Main ball rotates on 3/16" support balls.
- Ball support cup is hardened and plated.
- Protective cover assures low torque and longevity.
- Available in stainless steel for additional corrosion resistance.

NOTE: Neoprene cushion available to permit vertical deflection and assist with uniform load distribution. (Part number CBT 1-1/2)



All product designs subject to change, please verify accuracy of dimensions.

PS1509