

# Hudson

## BEARINGS

# FLBT

Flangeless Ball Transfers



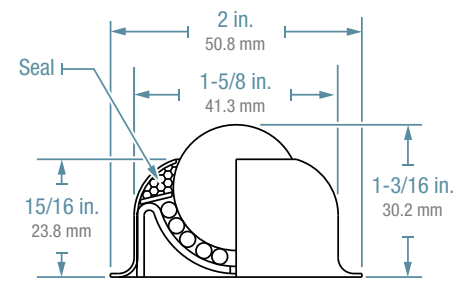
FLBT 1-1/2 CS



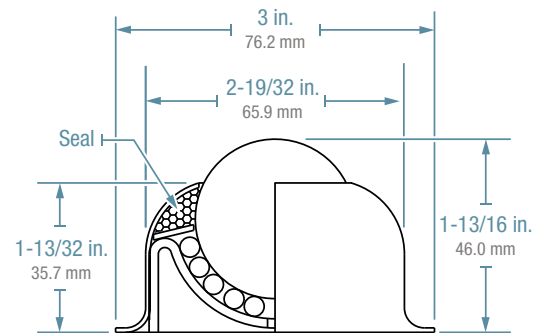
NFLBT 1-1/2 CS

Additional ball materials available

Part Number	Housing Mat.	Ball Material	Load Cap.
<b>FLBT 1 CS</b>	Carbon Steel	Carbon Steel	75 lbs.
<b>NFLBT 1 CS</b>	Carbon Steel	Nylon	75 lbs.
<b>FLBT 1 CS/SS</b>	Carbon Steel	Stainless Steel	75 lbs.
<b>FLBT 1-1/2 CS</b>	Carbon Steel	Carbon Steel	250 lbs.
<b>NFLBT 1-1/2 CS</b>	Carbon Steel	Nylon	250 lbs.
<b>FLBT 1-1/2 CS/SS</b>	Carbon Steel	Stainless Steel	250 lbs.



FLBT-1



FLBT-1-1/2

### FLANGELESS, ALL STEEL

- FLBT 1: 1" Main ball rotates on 1/8" support balls.
- FLBT 1-1/2: 1-1/2" Main ball rotates on 3/16" support balls.
- Ball support cup is hardened and plated.
- Protective cover assures low torque and longevity.
- Available in stainless steel for additional corrosion resistance.

All product designs subject to change, please verify accuracy of dimensions.

PS1509