

Hudson

BEARINGS

HDBT 1-3/16 IR

Heavy Duty Ball Transfers



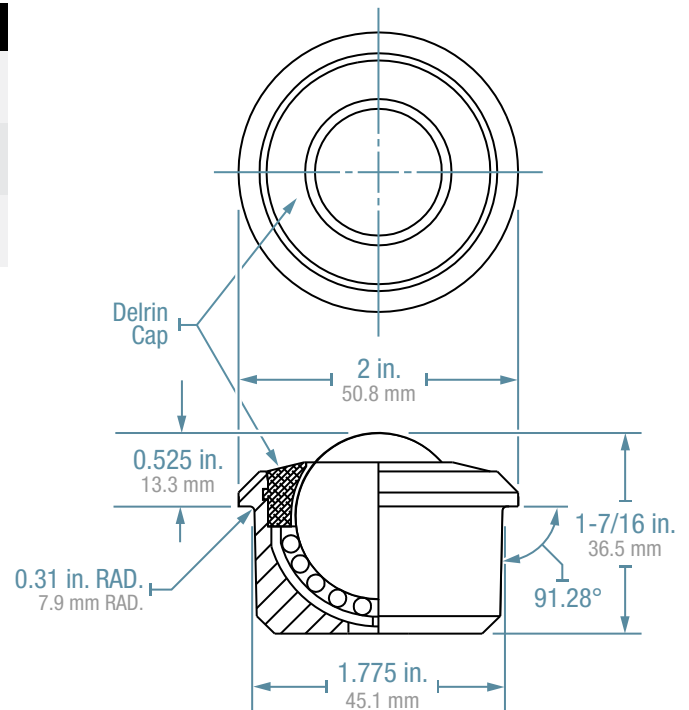
HDBT 1-3/16 SS IR

Additional ball materials available

Part Number	Housing Mat.	Ball Material	Load Cap.
HDBT 1-3/16 CS IR	Carbon Steel	Carbon Steel	850 lbs.
HDBT 1-3/16 CS/SS IR	Carbon Steel	Stainless Steel	850 lbs.
HDBT 1-3/16 SS IR	Stainless Steel	Stainless Steel	850 lbs.

850 LB. CAPACITY

- Stainless steel inner race for additional load capacity.
- Integral flange at top allows unit to be dropped into 1-13/16" diameter hole.
- 1-3/16" Main ball rotates on 1/8" support balls.
- Carbon steel housing is machined from solid steel and plated.
- Available in stainless steel for additional corrosion resistance.



All product designs subject to change, please verify accuracy of dimensions.

PS1509