

Hudson BEARINGS

Hudson Super Mover



Top View



Bottom View

Additional ball materials available

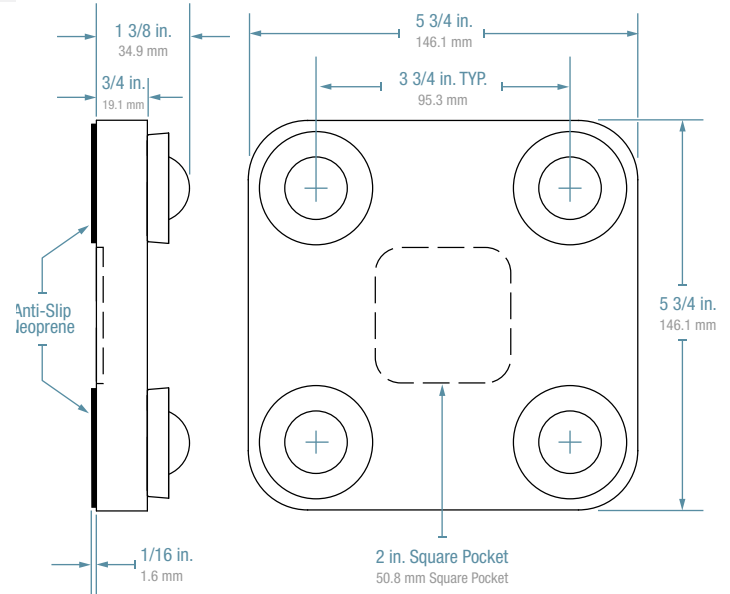
Part Number	Housing Mat.	Dimensions	Load Cap.
Hudson Super Mover	Anodized 6061 aluminum	5 3/4 x 5 3/4 x 1 3/8 in.	500 lbs.

HEAVY LOAD DOLLY

Simplify moving everything from heavy equipment to shelving units with the Hudson Hauler and the Hudson Super Mover. Their low profile design minimizes required lift while allowing for easy omni-directional movement.

Features

- 500 LB load capacity per unit.
- Manufactured in the USA.
- Accommodates leg mounted or flat fixtures.
- Utilizes Hudson Bearings Heavy Duty Ball Transfers with stainless steel main and support balls.
- Neoprene surface.
- Plate made from anodized 6061 aluminum.



All product designs subject to change, please verify accuracy of dimensions.

PS1509