

# Hudson

## BEARINGS

### LPBT 1

Flange-Mounted Ball Transfers



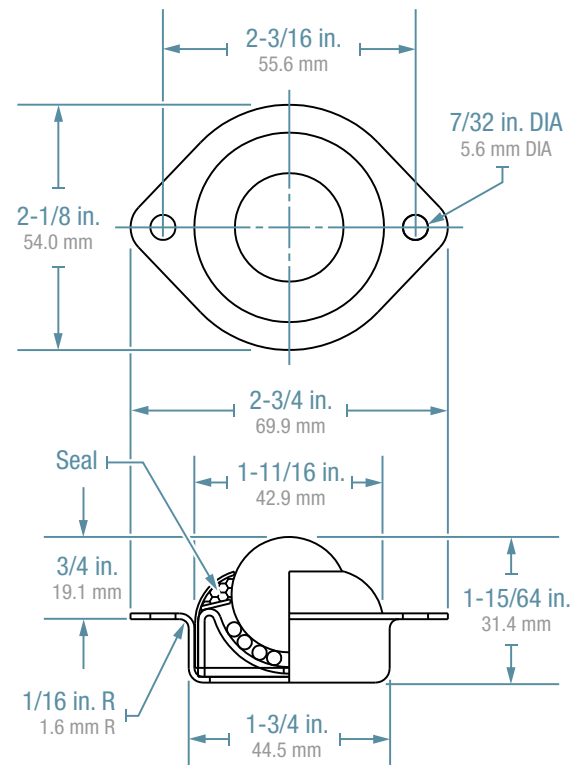
LPBT 1



NLPBT 1

Additional ball materials available

Part Number	Housing Mat.	Ball Material	Load Cap.
<b>LPBT 1 CS</b>	Carbon Steel	Carbon Steel	75 lbs.
<b>NLPBT 1 CS</b>	Carbon Steel	Nylon	75 lbs.
<b>LPBT 1 CS/SS</b>	Carbon Steel	Stainless Steel	75 lbs.
<b>LPBT 1 SS</b>	Stainless Steel	Stainless Steel	75 lbs.



#### LOW PROFILE, TWO-HOLE, FLANGE MOUNTED, ALL-STEEL

- Designed to be recessed into the surface of the application in a 1-7/8" hole.
- 1" Main ball rotates on 1/8" support balls.
- Ball support cup is hardened and plated.
- Protective cover assures low torque and longevity.
- Available in stainless steel for additional corrosion resistance.

All product designs subject to change, please verify accuracy of dimensions.

PS1509