

Hudson

BEARINGS

MBT 1

Drop-In Style Ball Transfers



MBT 1



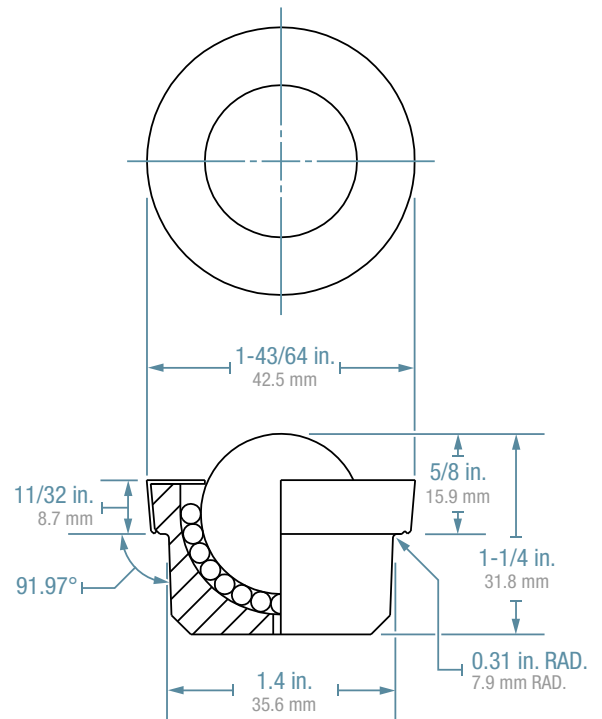
NMBT 1

Additional ball materials available

Part Number	Housing Mat.	Ball Material	Load Cap.
MBT 1CS	Carbon Steel	Carbon Steel	200 lbs.
NMBT 1CS	Carbon Steel	Nylon	200 lbs.
MBT 1CS/SS	Carbon Steel	Stainless Steel	200 lbs.
MBT 1SS	Stainless Steel	Stainless Steel	200 lbs.

SOLID MACHINED, ALL-STEEL

- Integral flange at top allows unit to be dropped into 1-13/32" diameter hole.
- 1" Main ball rotates on 1/8" support balls.
- Carbon steel ball support cup is machined from solid steel and is hardened and plated.
- Plated steel cover.
- Available in stainless steel for additional corrosion resistance.



All product designs subject to change, please verify accuracy of dimensions.

PS1509