

Hudson

BEARINGS

SBT 1-1/2

Stud-Mounted Ball Transfers



SBT 1-1/2



NSBT 1-1/2

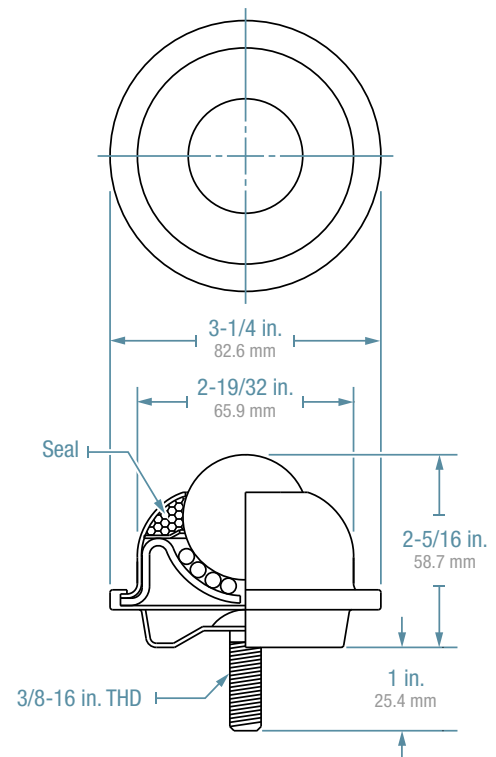
Additional ball materials available

| Part Number | Housing Mat. | Ball Material | Load Cap. |
|------------------------|--------------|-----------------|-----------|
| SBT 1-1/2 CS | Carbon Steel | Carbon Steel | 250 lbs. |
| NSBT 1-1/2 CS | Carbon Steel | Nylon | 250 lbs. |
| SBT 1-1/2 CS/SS | Carbon Steel | Stainless Steel | 250 lbs. |

STUD-MOUNTED, ALL-STEEL, FOR HEAVY-DUTY APPLICATIONS

- Threaded stud size: 3/8-16.
- 1-1/2" Main ball rotates on 3/16" support balls.
- Ball support cup is hardened and plated.
- Protective cover assures low torque and longevity.

NOTE: Neoprene cushion available to permit vertical deflection and assist with uniform load distribution (Part number CSBT 1-1/2)



All product designs subject to change, please verify accuracy of dimensions.