

Hudson BEARINGS

SBT 1

Stud-Mounted Ball Transfers



SBT 1



NSBT 1

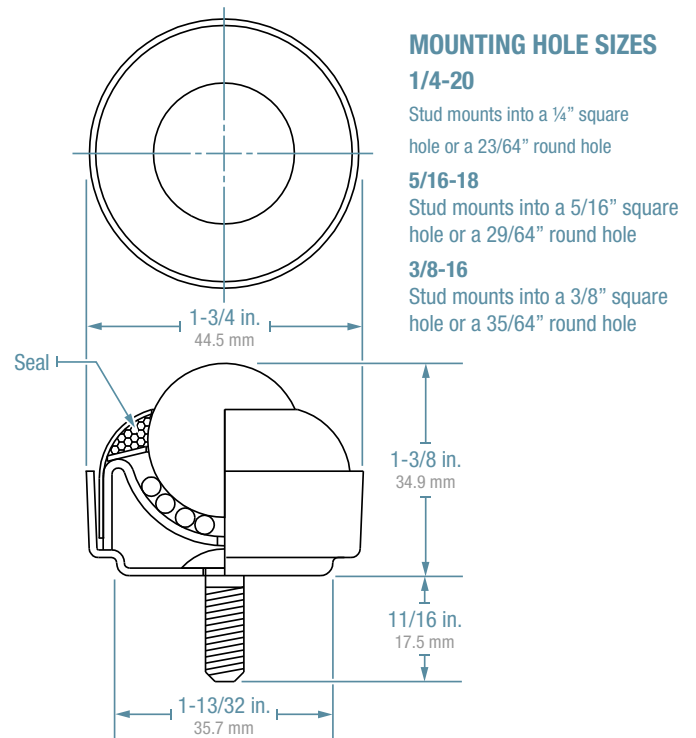
Additional ball materials available

Part Number	Housing Mat.	Ball Material	Load Cap.
SBT 1 CS	Carbon Steel	Carbon Steel	75 lbs.
NSBT 1 CS	Carbon Steel	Nylon	75 lbs.
SBT 1 CS/SS	Carbon Steel	Stainless Steel	75 lbs.
SBT 1 SS	Stainless Steel	Stainless Steel	75 lbs.

STUD-MOUNTED, ALL-STEEL

- Threaded stud sizes available: 1/4-20, 5/16-18, 3/8-16
- 1" Main ball rotates on 1/8" support balls.
- Ball support cup is hardened and plated.
- Protective cover assures low torque and longevity.

NOTE: Also available with a base to ball height of 1-17/32" in 1/4" stud only (Part number DSBT 1)



All product designs subject to change, please verify accuracy of dimensions.

PS1509