

Hudson

BEARINGS

SMBT 1

Stud-Mounted Ball Transfers



SMBT 1



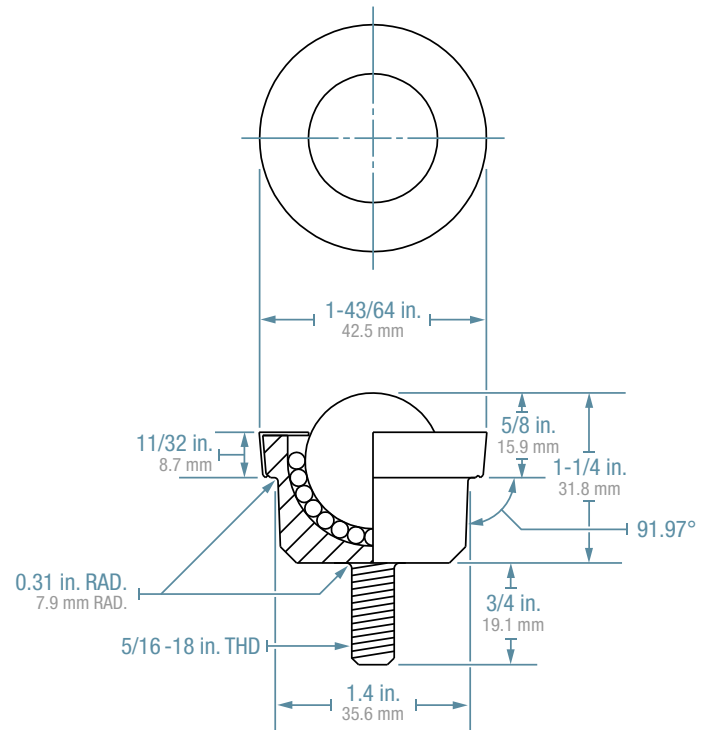
NSMBT 1 CS

Additional ball materials available

Part Number	Housing Mat.	Ball Material	Load Cap.
SMBT 1 CS	Carbon Steel	Carbon Steel	200 lbs.
NSMBT 1 CS	Carbon Steel	Nylon	200 lbs.
SMBT 1 CS/SS	Carbon Steel	Stainless Steel	200 lbs.
SMBT 1SS	Stainless Steel	Stainless Steel	200 lbs.

STUD-MOUNTED, SOLID MACHINED, ALL-STEEL

- Carbon steel ball support cup is machined from solid steel and is hardend and plated.
- 1" Main ball rotates on 1/8" support balls.
- Available in stainless steel for additional corrosion resistance.



All product designs subject to change, please verify accuracy of dimensions.

PS1509