

# Hudson

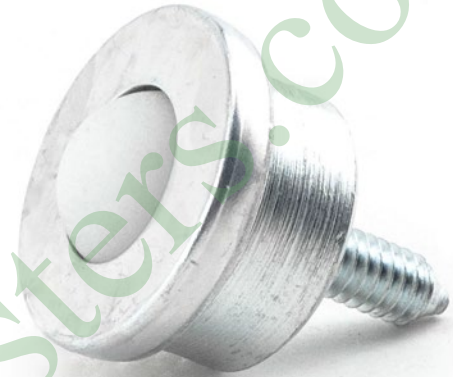
## BEARINGS

### SMBT 5/8

Stud-Mounted Ball Transfers



SMBT 5/8



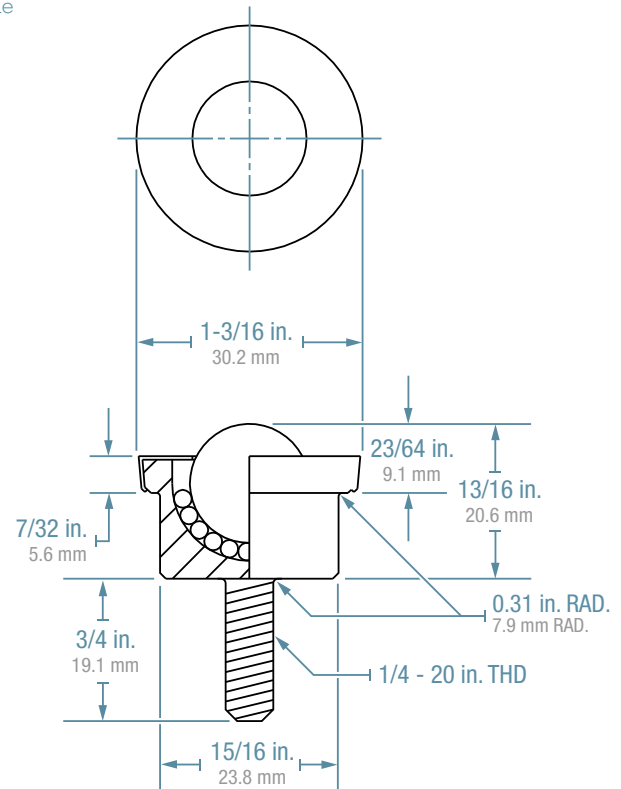
NSMBT 5/8

Additional ball materials available

Part Number	Housing Mat.	Ball Material	Load Cap.
<b>SMBT 5/8 CS</b>	Carbon Steel	Carbon Steel	125 lbs.
<b>NSMBT 5/8 CS</b>	Carbon Steel	Nylon	125 lbs.
<b>SMBT 5/8 CS/SS</b>	Carbon Steel	Stainless Steel	125 lbs.
<b>SMBT 5/8 SS</b>	Stainless Steel	Stainless Steel	125 lbs.

#### STUD-MOUNTED, SOLID MACHINED, ALL-STEEL

- Carbon steel ball support cup is machined from solid steel and is hardend and plated.
- 5/8" Main ball rotates on 3/32" support balls.
- Available in stainless steel for additional corrosion resistance.



All product designs subject to change, please verify accuracy of dimensions.

PS1509