

76 SERIES CASTERS

CASTERS

KINGPINLESS

ENGINEERED TO OUTPERFORM

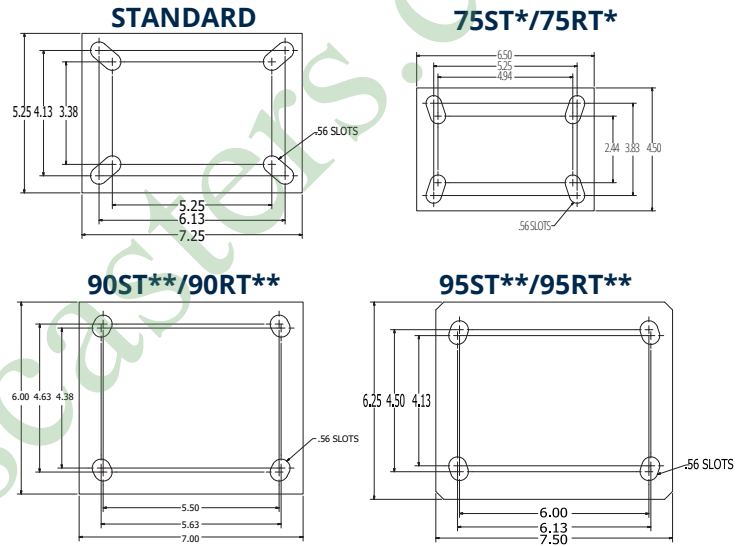
UP TO 7,000 LBS CAPACITY

RWM Casters 76 Series industrial casters feature the patented Kingpinless™ caster design. This is the design that RWM patented, and that has proven to be the best solution for demanding heavy duty applications. This is the caster design that all others are copying because it is simply unmatched in extending service life, reducing all possible causes for caster failure.

The 76 Series offers up to 7000 lb. capacity and is available with a wide variety of wheels in 3" width. This caster is designed with beefier legs and extended leads making it an excellent option for towing operation in automotive assembly plants, tire manufacturing and heavy duty industrial applications demanding a superior product. All swivel sections are supplied with a lubrication fitting for field maintenance. The 76 series is case hardened for extended service life. It will not crack like through hardened or induction hardened construction provided by other caster manufacturers. Our 76 series industrial casters are proudly made in the USA!



76-UOT-0830-S



* Subtract 1/16" OAH when using this top plate
 ** Add 1/8" OAH when using this top plate

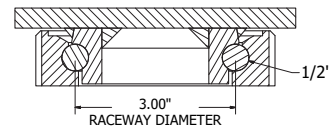
FEATURES

Raceway Design	Patented Kingpinless™ single ball bearing precision machined raceway hardened to 53 Rockwell C minimum. Swivel section features 3" diameter raceway with 1/2" ball bearings. The notched raceway is standard.
Capacity	Up to 7000 lbs.
Leg Thickness	3/8"
Axle	3/4" bolt with lock or slotted nut as required.
Finish	Laguna blue powder coat.
Wheels	Wheels are available with either a 1" roller bearing which rotates on a hardened and ground spanner brushing or 3/4" tapered bearings that rotate on the axle. All wheels are equipped with lubricated fitting.
Mounting Plate Size	5-1/4"x7-1/4"x3/8"
Bolt Hole Spacing	3-3/8"x5-1/4" slotted to 4-1/8"x6-1/8"
Mounting Bolt Diameter	1/2"

APPLICATIONS

Tow lines	Boat & ship molding and building
Abusive conditions	Storage tanks & gantries
Automotive	Shock load applications
Aerospace	Production line dollies
Metal fabricating	Heavy machinery
Military equipment	Mobile homes
Tractor pulled trailers	Extreme duty platform trucks
Air cargo & ground support equipment	Heavy duty processing equipment

KINGPINLESS RACEWAY



OPTIONS

BRAKES	
CWB	Cam Wheel Brake
FICWB	Field Installable Cam Wheel Brake
MICWB	Metal Installable Cam Wheel Brake
PCWB	Poly Cam Wheel Brake
SWIVEL LOCKS	
DSL	Demountable Swivel Lock
FOSL	Foot Operated Swivel Lock
LSL	L-Type Swivel Lock
SL	Swivel Lock
VSL	Vertical Swivel Lock
LUBRICATIONS	
HT	High Temperature Lubrication
LT	Low Temperature Lubrication
FINISHES	
HTP	High Temperature Paint
ZP	Zinc Plated
GUARDS AND SWEEPERS	
SR	Sealed Raceway
SWP	Sweeper Brush

Wheel Diameter	Wheel Width	Capacity lbs.	Wheel Type	Overall Height	Swivel Caster Model Numbers			Swivel Lead	Approx Weight lbs.
					Roller Bearing	Ball Bearing	Tapered Bearing		
5"	2-1/2"	2000	Cast Iron	7"	76-CIR-0525-S		76-CIT-0525-S	2"	18
		670	Rubber on Iron	8"	76-RIR-0625-S			2-1/4"	16.5
6"	2-1/2"	810	Rubber on Iron-EHT	8"	76-RIR-0625-S-EHT		76-RIT-0625-S-EHT	2-1/4"	16.5
		1600	Durastan	8"	76-DUR-0625-S			2-1/4"	11.5
		1620	Urethane on Iron	8"	76-UIR-0625-S		76-UIT-0625-S	2-1/4"	16.5
		1800	Cast Iron	8"	76-CIR-0625-S		76-CIT-0625-S	2-1/4"	17
		2500	V-Groove Iron	8"	76-VIR-0625-S		76-VIT-0625-S	2-1/4"	16.5
		5000	Forged Steel	8"	76-FSR-0625-S		76-FST-0625-S	2-1/4"	20.5
		680	Rubber on Iron	8"	76-RIR-0630-S			2-1/4"	17.5
		1080	Rubber on Iron-EHT	8"	76-RIR-0630-S-EHT		76-RIT-0630-S-EHT	2-1/4"	17.5
6"	3"	2000	Durastan	8"	76-DUR-0630-S			2-1/4"	12.5
		2000	Urethane on Iron	8"	76-UIR-0630-S		76-UIT-0630-S	2-1/4"	17.5
		3000	Cast Iron	8"	76-CIR-0630-S		76-CIT-0630-S	2-1/4"	18.5
		7000	Forged Steel	8"	76-FSR-0630-S		76-FST-0630-S	2-1/4"	31
		7000	Nylatron HD	8"		76-NYB-0630-S		2-1/4"	12.5
		7000	V-Groove Forged	8"	76-VFR-0630-S		76-VFT-0630-S	2-1/4"	30
		670	Rubber on Iron	10-1/2"	76-RIR-0825-S			2-15/16"	18.5
		1005	Rubber on Iron-EHT	10-1/2"	76-RIR-0825-S-EHT		76-RIT-0825-S-EHT	2-15/16"	18.5
8"	2-1/2"	2000	Cast Iron	10-1/2"	76-CIR-0825-S		76-CIT-0825-S	2-15/16"	23
		2000	Durastan	10-1/2"	76-DUR-0825-S			2-15/16"	15
		2000	Urethane on Iron	10-1/2"	76-UIR-0825-S		76-UIT-0825-S	2-15/16"	18.5
		2400	GT	10-1/2"		76-GTB-0825-S		2-15/16"	15
		3000	V-Groove Iron	10-1/2"	76-VIR-0825-S		76-VIT-0825-S	2-15/16"	27
		4500	Forged Steel	10-1/2"	76-FSR-0825-S		76-FST-0825-S	2-15/16"	25.5
		840	Rubber on Iron	10-1/2"	76-RIR-0830-S			2-15/16"	19.5
		1600	Omega	10-1/2"	76-UOR-0830-S	76-UOB-0830-S	76-UOT-0830-S	2-15/16"	19
8"	3"	1680	Rubber on Iron-EHT	10-1/2"	76-RIR-0830-S-EHT		76-RIT-0830-S-EHT	2-15/16"	19.5
		2500	Durastan	10-1/2"	76-DUR-0830-S			2-15/16"	16.5
		2500	Urethane on Iron	10-1/2"	76-UIR-0830-S		76-UIT-0830-S	2-15/16"	19.5
		3000	Cast Iron	10-1/2"	76-CIR-0830-S		76-CIT-0830-S	2-15/16"	26
		4000	Infinity	10-1/2"		76-UIB-0830-S-INF		2-15/16"	20
		5500	Forged Steel	10-1/2"	76-FSR-0830-S		76-FST-0830-S	2-15/16"	26
		7000	Nylatron HD	10-1/2"		76-NYB-0830-S		2-15/16"	16
		5000	V-Groove Iron	10-1/2"	76-VIR-0830-S		76-VIT-0830-S	2-15/16"	26
		6000	V-Groove Forged	10-1/2"	76-VFR-0830-S		76-VFT-0830-S	2-15/16"	36
		10"	2-1/2"	790	Rubber on Iron	12-1/2"	76-RIR-1025-S		
1185	Rubber on Iron-EHT			12-1/2"	76-RIR-1025-S-EHT		76-RIT-1025-S-EHT	3-3/8"	21.5
2370	Urethane on Iron			12-1/2"	76-UIR-1025-S		76-UIT-1025-S	3-3/8"	21.5
2500	Cast Iron			12-1/2"	76-CIR-1025-S		76-CIT-1025-S	3-3/8"	25.5
2500	Durastan			12-1/2"	76-DUR-1025-S			3-3/8"	16.5
1000	Rubber on Iron			12-1/2"	76-RIR-1030-S			3-3/8"	22.5
2000	Omega			12-1/2"	76-UOR-1030-S	76-UOB-1030-S	76-UOT-1030-S	3-3/8"	22
2000	Rubber on Aluminum-EHT			12-1/2"		76-RAB-1030-S-EHT	76-RAT-1030-S-EHT	3-3/8"	20.3
2000	Rubber on Iron-EHT			12-1/2"	76-RIR-1030-S-EHT		76-RIT-1030-S-EHT	3-3/8"	22.5
2900	Durastan			12-1/2"	76-DUR-1030-S			3-3/8"	20
10"	3"	3000	Urethane on Iron	12-1/2"	76-UIR-1030-S		76-UIT-1030-S	3-3/8"	22.5
		3400	GT	12-1/2"		76-GTB-1030-S		3-3/8"	20
		3400	Ultra Thick Urethane	12-1/2"	76-UTR-1030-S		76-UTT-1030-S	3-3/8"	26
		4000	Cast Iron	12-1/2"	76-CIR-1030-S		76-CIT-1030-S	3-3/8"	23
		5000	Infinity	12-1/2"		76-UIB-1030-S-INF		3-3/8"	23
		5000	V-Groove Iron	12-1/2"	76-VIR-1030-S		76-VIT-1030-S	3-3/8"	23
		6000	Forged Steel	12-1/2"	76-FSR-1030-S		76-FST-1030-S	3-3/8"	41
		6000	V-Groove Forged	12-1/2"	76-VFR-1030-S		76-VFT-1030-S	3-3/8"	48
		7000	Nylatron HD	12-1/2"		76-NYB-1030-S		3-3/8"	21
		12"	2-1/2"	900	Rubber on Iron	15-1/2"	76-RIR-1225-S		76-RIT-1225-S
2700	Urethane on Iron			15-1/2"	76-UIR-1225-S			4-5/16"	23.5
3000	Durastan			15-1/2"	76-DUR-1225-S			4-5/16"	20.5
1140	Rubber on Iron			15-1/2"	76-RIR-1230-S		76-RIT-1230-S	4-5/16"	26.5
2280	Rubber on Aluminum-EHT			15-1/2"		76-RAB-1230-S-EHT	76-RAT-1230-S-EHT	4-5/16"	24.5
2280	Rubber on Iron-EHT			15-1/2"	76-RIR-1230-S-EHT		76-RIT-1230-S-EHT	4-5/16"	26.5
3400	Urethane on Iron			15-1/2"	76-UIR-1230-S		76-UIT-1230-S	4-5/16"	26.5
3500	Durastan			15-1/2"	76-DUR-1230-S			4-5/16"	22.5
4100	Ultra Thick Urethane			15-1/2"	76-UTR-1230-S		76-UTT-1230-S	4-5/16"	29
5000	Cast Iron			15-1/2"	76-CIR-1230-S		76-CIT-1230-S	4-5/16"	32
12"	3"	6000	V-Groove Iron	15-1/2"	76-VIR-1230-S		76-VIT-1230-S	4-5/16"	43
		7000	Nylatron HD	15-1/2"		76-NYB-1230-S		4-5/16"	26

To order a rigid caster, change the "S" to "R" in the model number. For example: "75-CIR-1030-R". To order a rig only, omit the blue letters. For example: "75-1030-S". Dimensions shown are nominal. If precise dimensions are required, consult your RWM representative. For approximate weight of our rigid caster, deduct 3.9 pounds.