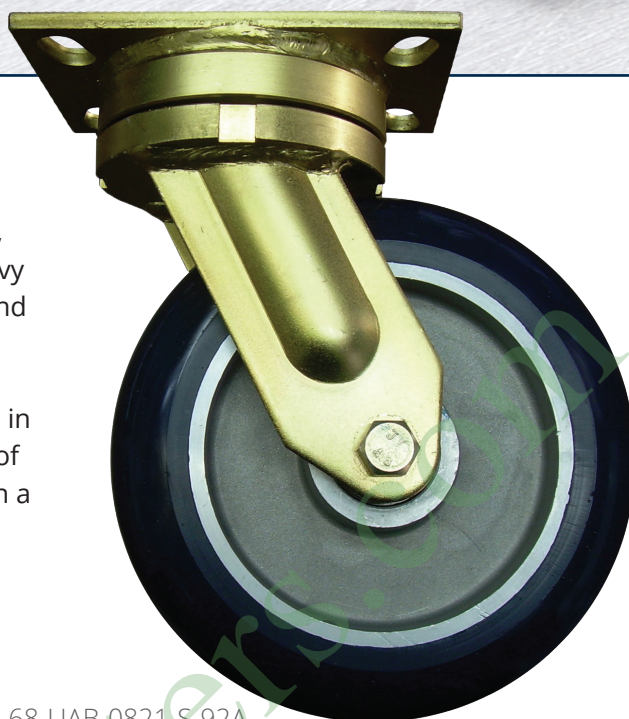


Freedom[®] 68 Series

RWM Casters Freedom 68 Series industrial casters feature an ultra quiet design that eliminates swivel chatter for silent operation. It is designed utilizing a sealed precision raceway with zero slack tolerances for continuous towing applications, demanding impact applications and durability due to the heavy duty construction. The 68 series is totally maintenance free and requires no lubrication. It offers up to 2500 pound capacity. The type II zinc dye chromate finish is standard for extended corrosion resistance. Our 68 Series Casters are proudly Made in the USA. Download free 2D or 3D CAD drawings and models of this caster. Don't see what you want? RWM can custom design a caster for any application!

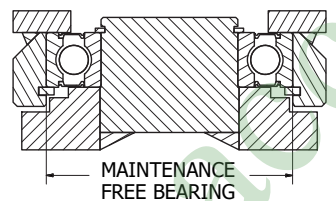


68-UAB-0821-S-92A

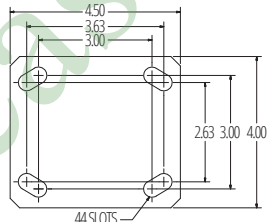
FEATURES

Swivel Section	Sealed precision swivel bearing
Capacity	Up to 2500 lbs.
Axle	1/2" diameter
Leg Thickness	1/4"
Finish	Type II Zinc Dye Chromate finish for extended corrosion resistance
Mounting Plate Size	4-1/2" x 6-1/2" x 5/16" thick
Bolt Hole Spacing	2-7/16" x 4-15/16" slotted to 3-3/8" x 5-1/4"
Mounting Bolt Diameter	1/2"

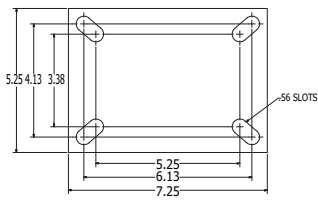
RACEWAY



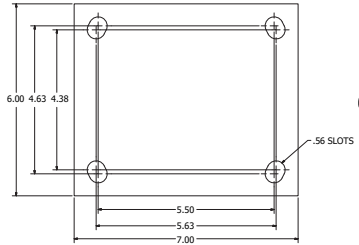
STANDARD



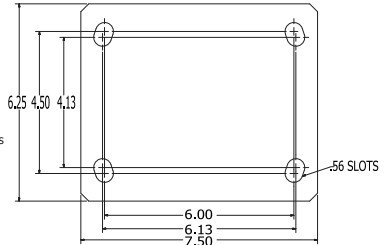
76ST/76RT



90ST/90RT



95ST/95RT



APPLICATIONS

The Freedom Tow Pro 68 Series Casters typical applications include:

Dollies	Automotive
Tow lines	Aerospace
Platform trucks	Assembly plants
Towline fixtures	

OPTIONS

BRAKES	
CWB	Cam Wheel Brake
PCWB	Poly Cam Brake (PCWB available on 3" wide casters only)
SWIVEL LOCKS	
DSL	Demountable Swivel Lock
GUARDS	
FG	Foot Guard

CASTERS

MAINTENANCE FREE

ENGINEERED TO OUTPERFORM

UP TO 2,500 LBS CAPACITY

Access Casters (877) 881-6814 HEAVY DUTY MAINTENANCE FREE CASTERS

CASTERS

MAINTENANCE FREE

ENGINEERED TO OUTPERFORM

UP TO 2,500 LBS CAPACITY

Wheel Diameter	Wheel Width	Capacity lbs.	Wheel Type	Overall Height	Swivel Caster Model Numbers		Swivel Lead	Approx Weight lbs.
					Sealed Precision Ball Bearing			
4"	2"	400	Signature	6-3/8"	68-SWB-0420-S		1-1/2"	9
		700	Rubber on Aluminum-EHT	6-3/8"	68-RAB-0420-S-EHT		1-1/2"	9.6
		700	Solid Urethane	6-3/8"	68-MUB-0420-S		1-1/2"	9.1
		1050	GT	6-3/8"	68-GTB-0420-S		1-1/2"	9
		2000	Nylatron HD	6-3/8"	68-NYB-0420-S		1-1/2"	10
5"	2"	500	Signature	7-5/16"	68-SWB-0520-S		1-7/8"	11
		800	Rubber on Aluminum-EHT	7-5/16"	68-RAB-0520-S-EHT		1-7/8"	12
		1000	Solid Urethane	7-5/16"	68-MUB-0520-S		1-7/8"	11.4
		1200	GT	7-5/16"	68-GTB-0520-S		1-7/8"	12.5
		2000	Nylatron HD	7-5/16"	68-NYB-0520-S		1-7/8"	13
6"	2"	600	Signature	8-1/4"	68-SWB-0620-S		2"	14
		820	Rubber on Aluminum-EHT	8-1/4"	68-RAB-0620-S-EHT		2"	14.7
		1000	Omega	8-1/4"	68-UOB-0620-S		2"	17
		1200	Solid Urethane	8-1/4"	68-MUB-0620-S		2"	13.8
		1230	Torus	8-1/4"	68-UAB-0621-S-92A		2"	15.1
		1230	Urethane on Iron	8-1/4"	68-UIB-0620-S-92A		2"	17.1
		1500	GT	8-1/4"	68-GTB-0620-S		2"	14.8
		2200	Nylatron HD	8-1/4"	68-NYB-0620-S		2"	15
6"	2 1/2"	2300	GT	8-1/4"	68-GTB-0625-S		2"	16
6"	3"	2000	Solid Urethane	8-1/4"	68-MUB-0630-S		2"	17
		2500	Nylatron HD	8-1/4"	68-NYB-0630-S		2"	16
8"	2"	600	Performance TPR	10-1/8"	68-RPB-0820-S		2-3/16"	17
		700	Signature	10-1/8"	68-SWB-0820-S		2-3/16"	7.1
		1000	Rubber on Aluminum-EHT	10-1/8"	68-RAB-0820-S-EHT		2-3/16"	17
		1200	Omega	10-1/8"	68-UOB-0820-S		2-3/16"	20
		1500	Solid Urethane	10-1/8"	68-MUB-0820-S		2-3/16"	16
		1500	Torus	10-1/8"	68-UAB-0821-S-92A		2-3/16"	15
		1500	Urethane on Iron	10-1/8"	68-UIB-0820-S-92A		2-3/16"	21
		1500	Whisper Wheel	10-1/8"	68-UWB-0820-S		2-3/16"	20
		1800	GT	10-1/8"	68-GTB-0820-S		2-3/16"	17
		2000	Infinity	10-1/8"	68-UIB-0820-S-INF		2-3/16"	22
		2500	Nylatron HD	10-1/8"	68-NYB-0820-S		2-3/16"	18
		8"	2 1/2"	2400	GT	10-1/8"	68-GTB-0825-S	
8"	3"	1600	Omega	10-1/8"	68-UOB-0830-S		2-3/16"	25
		2500	Infinity	10-1/8"	68-UIB-0830-S-INF		2-3/16"	24
		2500	Solid Urethane	10-1/8"	68-MUB-0830-S		2-3/16"	21
		2500	Whisper Wheel	10-1/8"	68-UWB-0830-S		2-3/16"	34
10"	3"	2000	Omega	12-3/16"	68-UOB-1030-S		2-3/4"	35.2
		2000	Rubber on Aluminum-EHT	12-3/16"	68-RAB-1030-S-EHT		2-3/4"	23
		2500	GT	12-3/16"	68-GTB-1030-S		2-3/4"	25
		2500	Infinity	12-3/16"	68-UIB-1030-S-INF		2-3/4"	38
		2500	Solid Urethane	12-3/16"	68-MUB-1030-S		2-3/4"	24
		2500	Whisper Wheels	12-3/16"	68-UWB-1030-S		2-3/4"	37
12"	3"	2280	Rubber on Aluminum-EHT	14-3/16"	68-RAB-1230-S-EHT		3-1/4"	28.5
		2500	Whisper Wheel	14-3/16"	68-UWB-1230-S		3-1/4"	45

To order a rigid caster, change the "S" to "R" in the model number. For example: "68-RAB-0820-R". To order a rig only, omit the blue letters. For example: "68-0820-S". Dimensions shown are nominal. If precise dimensions are required, consult your RWM representative. For approximate weight of our rigid caster, deduct 1.5 pounds. Custom Sizes Available. Contact RWM for more options.